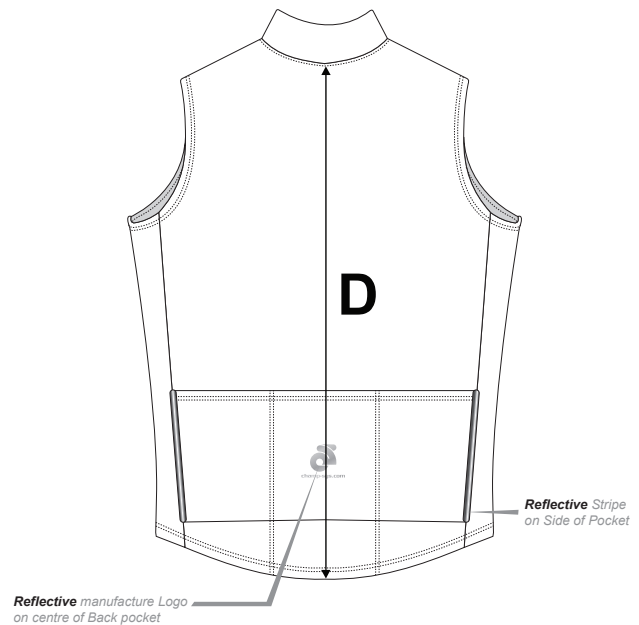
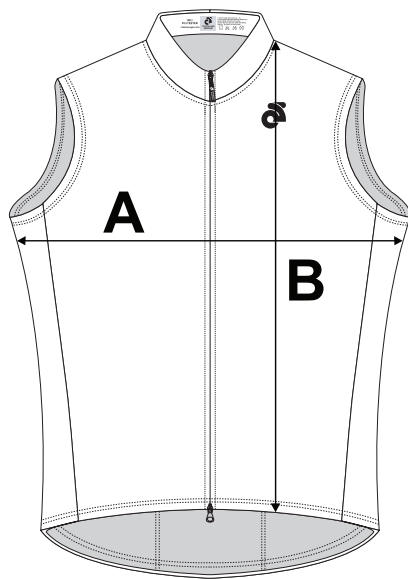


If you're unsure which size to buy, try measuring a Winter Vest that you already own that fits you well, and compare those measurements to the size chart. Lay the Winter Vest on a flat surface and use the above guide to measure the Winter Vest.

**Note: All measurements are approximate.**

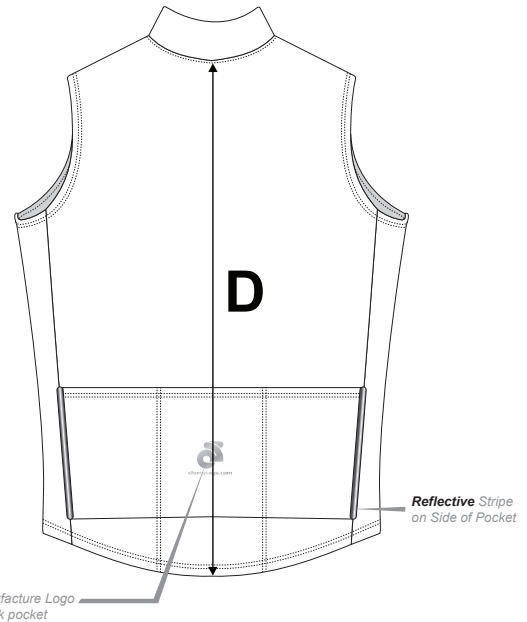
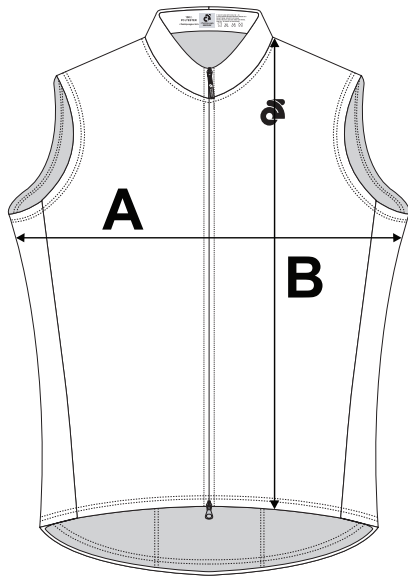
Size	A (Chest)	B (Front Length)	D (Back Length)
XS	19"	22 1/2"	25 1/4"
S	20"	23 1/4"	25 7/8"
M	21"	24"	26 1/2"
L	22"	24 3/4"	27 1/8"
XL	23"	25 1/2"	27 3/4"
2XL	24"	26 1/4"	28 3/8"
3XL	25 1/2"	27"	29"
4XL	27"	27 3/4"	29 5/8"



If you're unsure which size to buy, try measuring a Winter Vest that you already own that fits you well, and compare those measurements to the size chart. Lay the Winter Vest on a flat surface and use the above guide to measure the Winter Vest.

**Note: All measurements are approximate.**

<b>Size</b>	<b>A (Chest)</b>	<b>B (Front Length)</b>	<b>D (Back Length)</b>
<b>XS</b>	<b>18"</b>	<b>21 3/4"</b>	<b>24 1/2"</b>
<b>S</b>	<b>19"</b>	<b>22 1/2"</b>	<b>25 1/8"</b>
<b>M</b>	<b>20"</b>	<b>23 1/4"</b>	<b>25 3/4"</b>
<b>L</b>	<b>21"</b>	<b>24"</b>	<b>26 3/8"</b>
<b>XL</b>	<b>22"</b>	<b>24 3/4"</b>	<b>27"</b>
<b>2XL</b>	<b>23"</b>	<b>25 1/2"</b>	<b>27 5/8"</b>
<b>3XL</b>	<b>24 1/2"</b>	<b>26 1/4"</b>	<b>28 1/4"</b>
<b>4XL</b>	<b>26"</b>	<b>27"</b>	<b>28 7/8"</b>



If you're unsure which size to buy, try measuring a Winter Vest that you already own that fits you well, and compare those measurements to the size chart. Lay the Winter Vest on a flat surface and use the above guide to measure the Winter Vest.

**Note: All measurements are approximate.**

Size	A (Chest)	B (Front Length)	D (Back Length)
JR-XS/TP 7-8	15"	18 1/2"	21"
JR-S/P 9-10	16"	19 3/4"	22 1/4"
JR-M 11-12	17"	21"	23 1/2"
JR-L/G 13-14	18 1/4"	22 3/4"	25 1/8"
JR-XL/TG 15-16	19 1/2"	24 1/2"	26 3/4"